

COMPRESSOR
Aeras
Ramvac

INTELLIGENT UTILITY THAT MONITORS & COMMUNICATES



Feel confident knowing your utility equipment can be **monitored** & protected around the clock¹



Service provider can view up to **six months of data** to help diagnose potential issues¹



8-Year optional extended warranty*



Schedule remotely exactly when your equipment powers up & down¹



Get **automatic notification** when preventive maintenance is required¹

RAMVAC® RELIABILITY

Dual Desiccant Dryer Technology

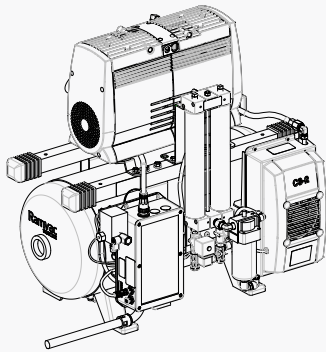
prevents bacterial growth by storing air at a dew point of -40°

Rocking Piston Design

cuts the ambient compressor noise while doubling the life of the compression rings

High-Pressure Option

that is perfect for practices that run a milling machine



*Terms apply

¹Applies only if subscribing to monitoring service

ELECTRICAL REQUIREMENTS

Model Number	Description	Voltage	Amps	Breaker Size	Total HP
C3-2	Aeras 3 Compressor	230V	10.5	20 amp	2
C4-1	Aeras 4 Compressor	115V	23	30 amp	2.5
C4-2	Aeras 4 Compressor	230V	11.5	20 amp	2.5
C6-2	Aeras 6 Compressor	230V	16.3	20 amp	3.25
C7-2	Aeras 7 Compressor	230V	21	30 amp	4
C11-2	Aeras 11 Compressor	230V	32	40 amp	6

WEIGHT AND DIMENSIONS

Model Number	Description	Weight (lbs)	Dimensions W x D x H (in)	Dimensions w Sound Cover	Tank Size (Gallon)
C3-2	Aeras 3 Compressor	160	29" x 21" x 29"	33.3" x 29" x 34"	12
C4-1	Aeras 4 Compressor	190	29" x 21" x 29"	33.3" x 29" x 34"	12
C4-2	Aeras 4 Compressor	190	29" x 21" x 29"	33.3" x 29" x 34"	12
C6-2	Aeras 6 Compressor	250	35" x 25" x 30"	35" x 29" x 34"	20
C7-2	Aeras 7 Compressor	260	35" x 25" x 30"	35" x 29" x 34"	20
C11-2	Aeras 11 Compressor	385	41" x 29" x 32"	41.1" x 33" x 36"	30

SIZING GUIDE

Model Number	Description	Number of Users	Number of Heads	Peak Airflow Output @ 80 PSI (CFM)	Sound Covers
C3-2	Aeras 3 Compressor	3	1	6.0	C3-2 = 8543-022
C4-1	Aeras 4 Compressor	4	2	6.6	C4-1 = 8543-021
C4-2	Aeras 4 Compressor	4	2	6.6	C4-2 = 8543-022
C6-2	Aeras 6 Compressor	6	2	9.3	C6-2 = 8543-023
C7-2	Aeras 7 Compressor	7	2	12.0	C7-2 = 8543-023
C11-2	Aeras 11 Compressor	11	3	18.1	C11-2 = 8543-024

Note for all compressors: Pressure is 85-115 PSI. High-Pressure Mode is 105-131 PSI. Pump Up Cycle Time, 85 to 115 PSI (Sec) is 40-45.